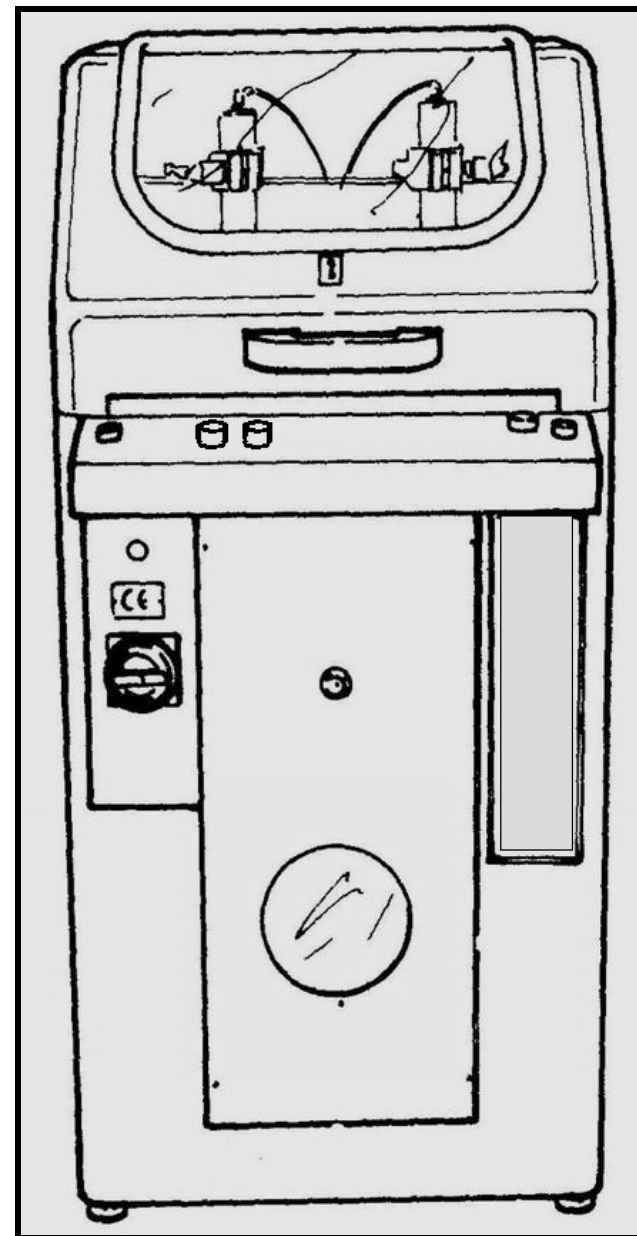
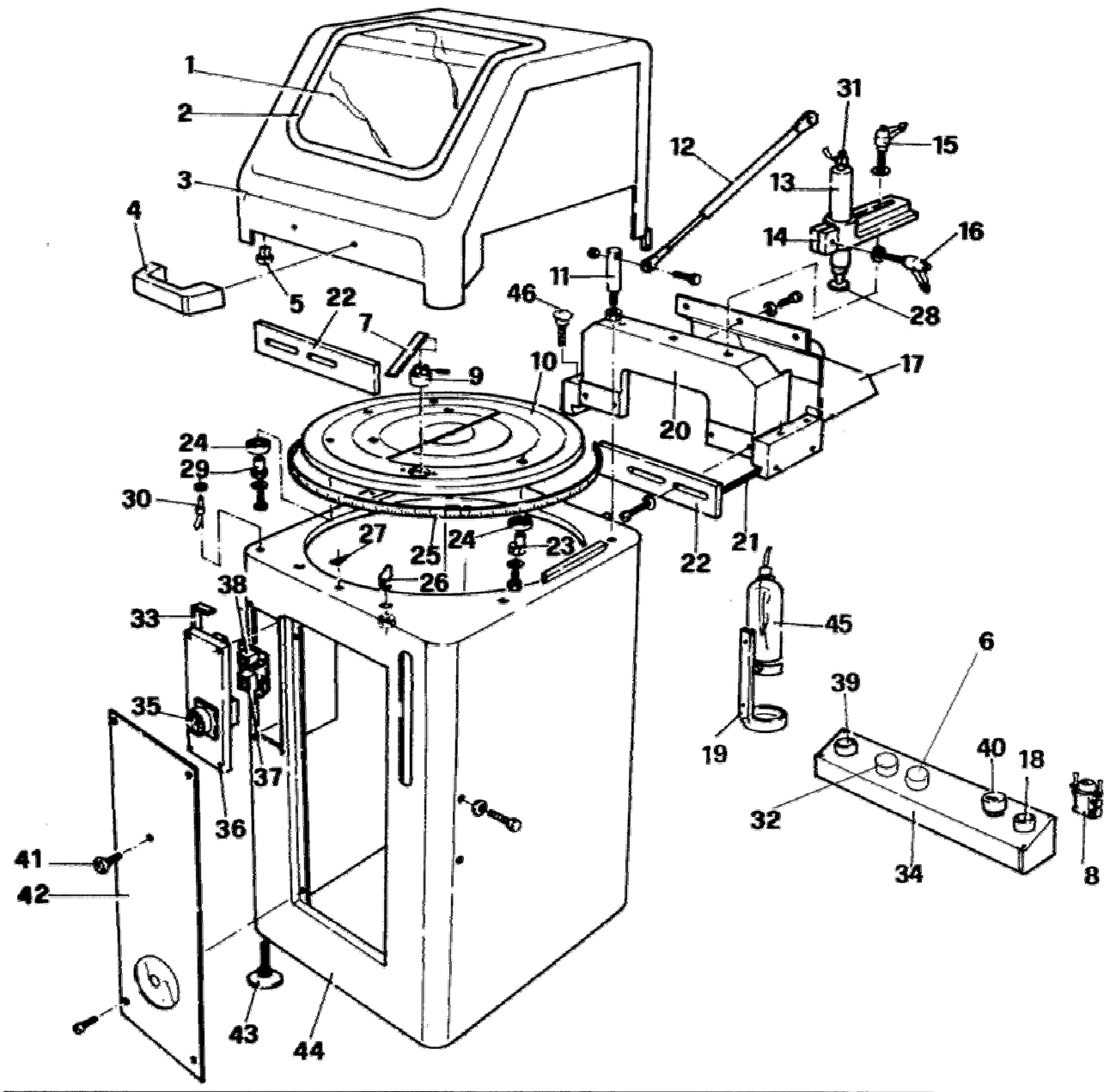


GLS190 A CE

PEZZI DI RICAMBIO
PIECES DETACHEES
SPARE PARTS
ERSATZTEILE



| COD. | POS. | DESCRIZIONE | DESCRIPTION | DESCRIPTION | BESCHREIBUNG | DESCRIPCION |
|----------|------|-------------------------|-----------------|--------------------|---------------------|-----------------------|
| 3311129 | 01 | OBLO' | WINDOW | HUBLOT | BULLAGE | PORTILLA |
| 2590961 | 02 | GUARNIZIONE | RUBBER PACKING | GARNITURE | DICHTUNG | GUARNICION |
| 3300020 | 03 | CARTER | GUARD | PROTECTION | SCHUTZVORRICHTUNG | PROTECCION |
| 2590362 | 04 | MANIGLIA | HANDLE | POMMEAU | HANDGRIFF | MANILLA |
| 3390217 | 05 | MICRO | MICRO SWITCH | MICRO | MIKRO | MICRO |
| 2590218 | 06 | PULSANTE STOP | BUTTON | BOUTON | KNOPF | BOTON |
| 3304007 | 07 | BATTUTA | STOP | BUTEE | ANSCHLAG | TOPE |
| 1490827 | 08 | VALVOLA 3 VIE | VALVE | VALVE | VENTILE | VALVULA |
| 3305006 | 09 | BOCCOLA | BUSH | DOUILLE | BUCHSE | BRIDA |
| 3302017 | 10 | PIANA ALLUMINIO (DISCO) | ALU. SHELF | PLAN ALU | ALUMINIUMSPLATTE | PLANO DE ALUMINIO |
| 3300000H | 11 | SUPPORTO CARTER | SUPPORT | SUPPORT | AUFLAGE | SOPORTE |
| 2891111 | 12 | MOLLA A GAS | GAS SPRING | RESSORT A GAS | GASFEDER | MUELLE GAS |
| 1490825 | 13 | PISTONE | CYLINDER | CYLINDRE | ZYLINDER | PISTON |
| 2502039 | 14 | SUPPORTO MORSA | CLAMP SUPPORT | SUPPORT ETAU | SPANNUNGSAUFLAGE | SOPORTE MORDAZA |
| 1490318 | 15 | LEVA A SCATTO | RELEASE HANDLE | LEVIER A DECLIC | SPRINGGRIFF | PALANCA |
| 1490319 | 16 | LEVA A SCATTO | RELEASE HANDLE | LEVIER A DECLIC | SPRINGGRIFF | PALANCA |
| 3300011 | 17 | BOCCHETT.NE ASPIRAZIONE | PIPE UNION | GOULOTTE | ROHRSTUTZEN | RAMPA DE DESAGUE |
| 2590218 | 18 | PULSANTE | BUTTON | BOUTON | KNOPF | BOTON |
| 1490838 | 19 | SUPPORTO TANICA | TANK SUPPORT | SUPPORT RESERVOIR | BEHALTERS AUFLAGE | SOPORTE BOTELLA |
| 3302046 | 20 | SQUADRO | SQUARE | EQUERRE | WINKEL | ESCUADRA |
| 3311147 | 21 | LARDONE | GIB | LARDON | LARDONE | LARDONE |
| 3311002 | 22 | GUIDA PROFILO | GUIDE | GUIDE | FUHRUNG | GUIA |
| 3305013 | 23 | BOCCOLA ECCENTRICA | BUSH | DOUILLE | BUCHSE | BRIDA |
| 3390402 | 24 | CUSCINETTI | BEARINGS | ROULEMENTS | LAGER | COJINETE |
| 3391019 | 25 | RIGA GRADUATA | METRIC RULER | REGLE METRIQUE | MAßTAB | REGLA METRICA |
| 3305010 | 26 | GRANO | GRAIN | GRAIN | SCHRAUBE | TORNILLO |
| 2790909 | 27 | FRECCIA INDICE | POINTER | REFERE | ZEIGER | INDICE |
| 1490835 | 28 | TAMPONE | PADS | TAMPONS | HALTER | TAPON |
| 3305012 | 29 | BOCCOLA | BUSH | DOUILLE | BUCHSE | BRIDA |
| 3390218 | 30 | MAGNETE | MAGNET | AIMANT | MAGNET | IMAN |
| 1490850 | 31 | VALVOLA DI BLOCCO | VALVE | VALVE | VENTILE | VALVULA |
| 2590218 | 32 | PULSANTE START | BUTTON | BOUTON | KNOPF | BOTON |
| 1490948 | 33 | GUARNIZIONE | RUBBER PACKING | GARNITURE | DICHTUNG | GUARNICION |
| 2590218 | 34 | PANNELLO COM.DI PULPITO | CONTROL PANEL | PANNEAU DE COMANDE | SCHALTТАFEL | PANEL DE CONTROL |
| 1490250 | 35 | INTERRUTTORE | SWITCH | INTERRUPTEUR | SCHALTER | INTERRUPTOR |
| 3300041 | 36 | PANNELLO COMANDI | CONTROL PANEL | PANNEAU DE COMANDE | SCHALTТАFEL | PANEL DE CONTROL |
| 1490249 | 37 | SCHEDE ELETTRONICA | ELECTRONIC CARD | FICHE ELECTRONIQUE | ELEKTRONISCHE KARTE | FICHA ELECT. |
| 1490242 | 38 | PORTAFUSIBILI | FUSE CARRIER | PORTE FUSIBLES | SICHERUNGENHALTER | PORTAFUSIBLES |
| 1490827 | 39 | PULSANTE | BUTTON | BOUTON | KNOPF | BOTON |
| 1490828 | 40 | SELETTORE | SELECTOR | SELECTEUR | WAHLSCHALTER | SELECTOR |
| 3390306 | 41 | VOLANTINO | HANDWHEEL | VOLANT | HANDRAD | VOLANTE |
| 3300001 | 42 | CARTER | GUARD | PROTECTION | SCHUTZVORRICHTUNG | PROTECCION |
| 1490924 | 43 | PIEDE FISSO | FIX FOOT | PIED FIXE | FESTE FUß | PIE FIJO |
| 3300000 | 44 | BASAMENTO | FRAME | SOCLE | UNTERGESTELL | BANCADA |
| 1490837 | 45 | TANICA | TANK | RESERVOIR | BEHALTER | BOTELLA LUBRIFICATION |
| 3390305 | 46 | LEVA | HANDLE | LEVIER | AUSCHEBUNG | PALANCA |



PAGE 2

| COD. | POS. | DESCRIZIONE | DESCRIPTION | DESCRIPTION | BESCHREIBUNG | DESCRIPCION |
|-------------|-------------|--------------------|--------------------|--------------------|---------------------|--------------------|
| 3311027 | 01 | PULEGGIA | PULLEY | POULIE | SCHREIBE | POLEA |
| 3391210 | 02 | CINGHIA | BELT | COURROIE | RIEME | CORREA |
| 3311026 | 03 | PULEGGIA | PULLEY | POULIE | SCHREIBE | POLEA |
| 3305060 | 04 | PERNO | PIN | PIVOT | STIFT | PERNIO |
| 3311181 | 05 | PROTEZIONE CINGHIA | BELT GUARD | PROTECTION | SAGESCHUTZ | PROTECCION SIERRA |
| 3300054 | 06 | PROTEZIONE | GUARD | PROTECTION | SCHUTZ | PROTECCION |
| 3390409 | 07 | CUSCINETTO | BEARING | ROULEMENT | LAGER | COJINETE |
| 3306061 | 08 | GUIDE | GUIDES | GUIDE | FUHRUNG | GUIA |
| 3302021 | 09 | SUPPORTO | SUPPORT | SUPPORT | AUFLAGE | SOPORTE |
| 2590431 | 10 | BUSSOLE | SLEEVE | DOUILLE | KUEGELBUCHSE | BRUJULAS |
| 3390408 | 11 | CUSCINETTO | BEARING | ROULEMENT | LAGER | COJINETE |
| 1490829 | 12 | LUBRIFICATORE | SPRAY MIST UNIT | LUBRIFIEUR | SPRUEHEINRICHTUNG | LUBRICADOR |
| 3305025 | 13 | ALBERO | SHAFT | ARBRE | WELLE | EJE |
| 3305024 | 14 | FLANGIA | FLANGE | BRIDE | FLANSCH | BRIDA |
| 3390546 | 15 | LAMA DIAM. 400 | BLADE DIAM. 400 | LAME DIAM. 400 | SAGEBLATT DIAM. 400 | SIERRA DIAM. 400 |
| 3305030 | 16 | DADO LAMA | NUT | ECROU | MUTTER | TUERCA |
| 3390847 | 17 | ELETTROVALVOLA | FAN | ELECTRO VENTILE | VENTILE | VALVULA |
| 3390101 | 18 | MOTORE | MOTOR | MOTEUR | MOTOR | MOTOR |
| 3300063 | 19 | SUPPORTO GUIDE | SUPPORT | SUPPORT | AUFLAGE | SOPORTE |
| 1590930 | 20 | SAKAC M16 | SAKAC M16 | SAKAC M16 | SAKAC M16 | SAKAC M16 |
| 3390853 | 21 | PISTONE | CYLINDER | CYLINDRE | ZYLINDER | PISTON |
| 3390849 | 22 | CONNETTORE | CONNECTOR | CONNECTEUR | VERBINDER | CONNECTOR |
| 3390848 | 23 | SOTTOBASE | SUPPORT | SUPPORT | AUFLAGE | SOPORTE |

