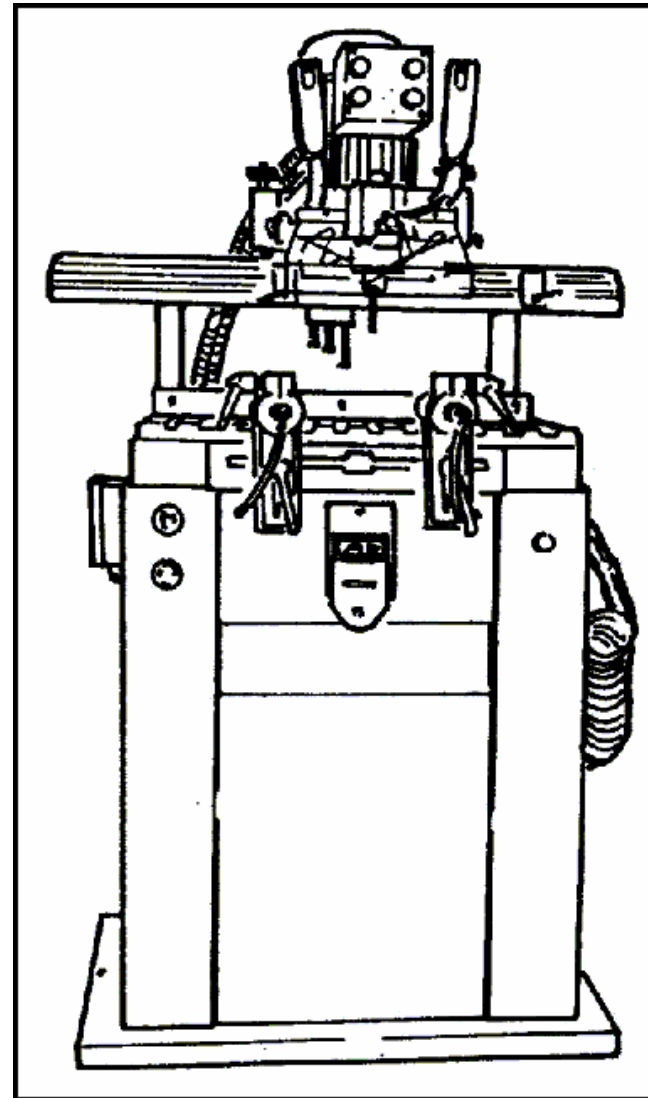


Kombimatec Machines Ltd.

# CR5650

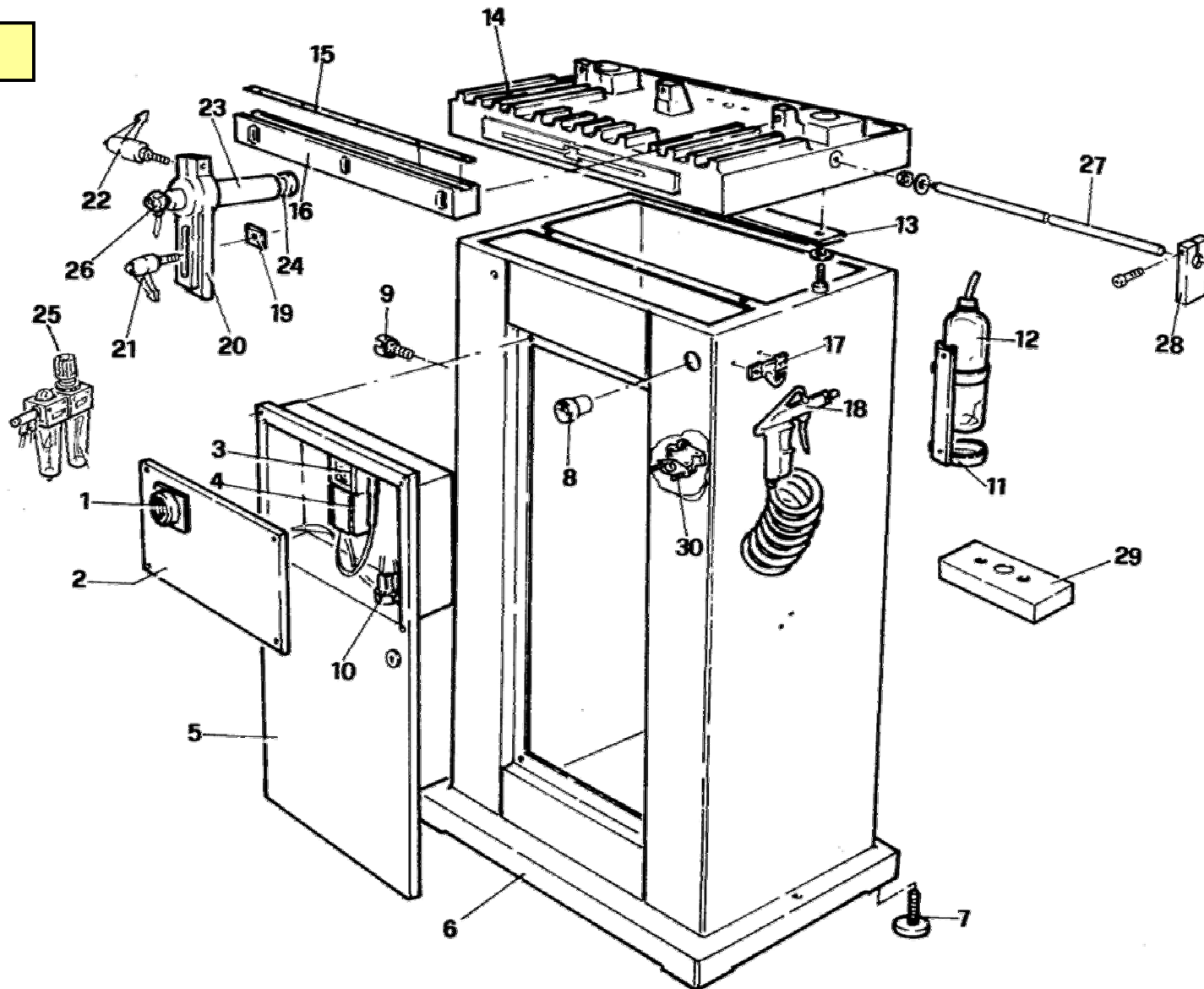
SPARE PARTS  
PIECES DETACHEES  
PEZZI DI RICAMBIO  
ERSATZTEILE



## PAGE 1

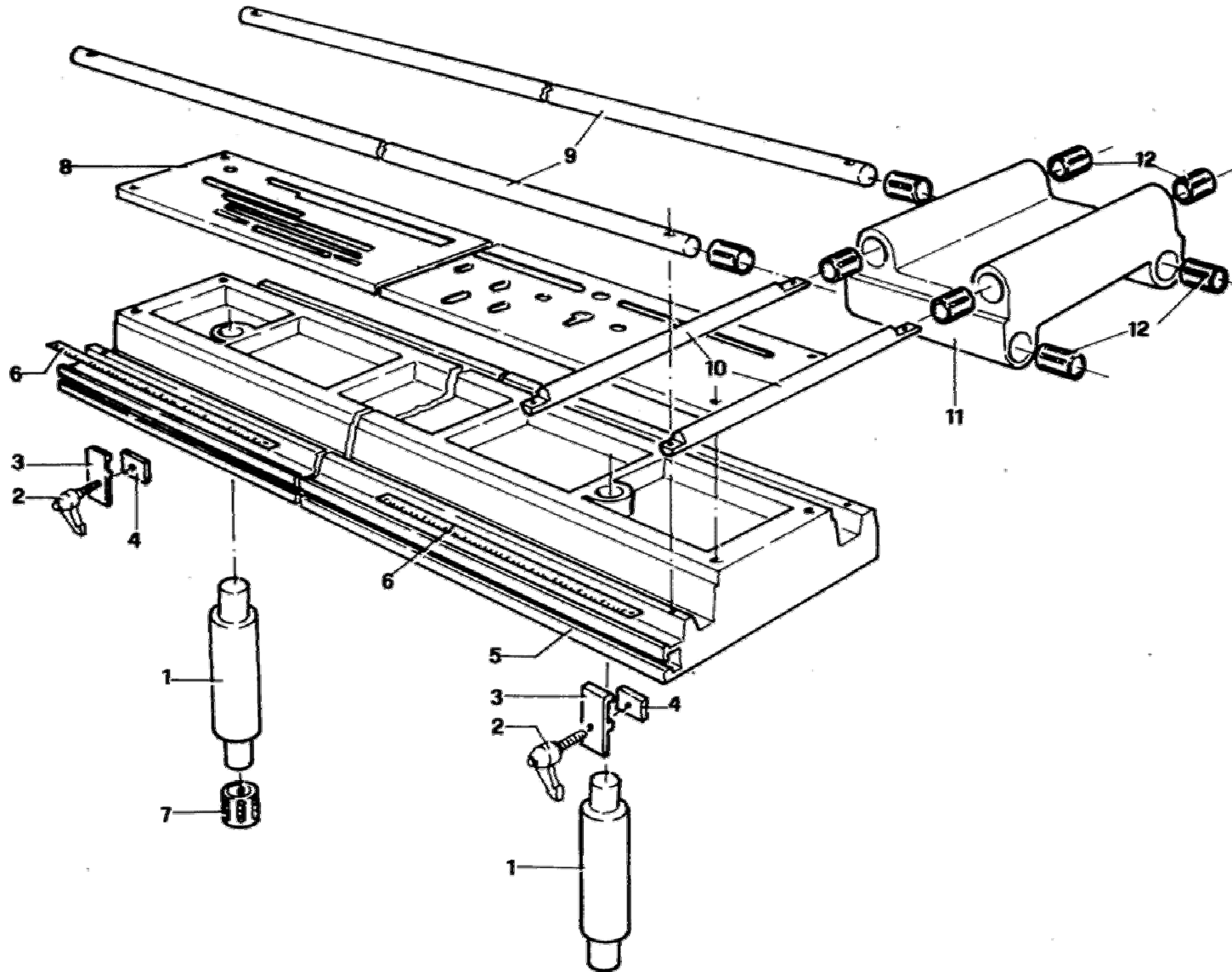
COD.	POS.	DESCRIPTION	DESCRIZIONE	DESCRIPTION	BESCHREIBUNG	DESCRIPCION
1490250	01	SWITCH	INTERRUTTORE	INTERRUPTEUR	SCHALTER	INTERRUPTOR
1510020	02	GUARD	CARTER	PROTECTION	SCHUTZVORRICHTUNG	PROTECCION
1490242	03	FUSE CARRIER	PORTAFUSIBILI	PORTE FUSIBLES	SICHERUNGENHALTER	PORTAFUSIBLES
1490249	04	CARD	SCHEDA 8VA	FICHE	KARTE	FICHA
1500001	05	PANEL	SPORTELLLO BASE	PANNEAU	PANEEL	PANEL
1500000	06	FRAME	BASAMENTO	SOCLE	UNTERGESTELL	BANCADA
1490924	07	FIX FOOT	PIEDE FISSO	PIED FIXE	FESTE FUß	PIE FIJO
1490828	08	SELECTOR	ATTUATORE	SELECTEUR	WAHLSCHALTER	SELECTOR
2590874	09	CONNECTION	RESCA	RACCORD	VERBINDUNG	CONEXION
1490856	10	PRESSURE VALVE	PRESSOSTATO	PRESSOSTAT	DRUCKWAHLER	PRESSOSTATO
1490838	11	TANK SUPPORT	SUPPORTO TANICA	SUPPORT RESERVOIR	BEHALTERS AUFLAGE	SOPORTE BOTELLA
1490837	12	TANK	TANICA	RESERVOIR	BEHALTER	BOTELLA LUBRIFICATION
1511006	13	BRACKET	STAFFA GUIDE VERT.LI	ETRIER	BUGEL	SOPORTE
1502003	14	SUPPORT	BASETTA	TABLETTE	AUFLAGE	SOPORTE
1491003	15	METRIC RULER	STECCA METRICA	REGLE METRIQUE	MAßSTAB	REGLA METRICA
1411025	16	GUIDE	GUIDA PROFILO	GUIDE	FUEHRUNG	GUIA
	17	GUN HOOK	GANCIO PISTOLA	CROCHET DE SOUFLETTE	EINHANGEMOGLICHKEIT FUR DIE AUSBLASPISTOLE	GNACHO PISTOLA
2690871	18	AIR GUN	PISTOLA ARIA	SOUFLETTE	AUSBLASPISTOLE	PISTOLA DE AIRE
2504050	19	PLATE	ZOCCHETTO	PLATRE	PLATTE	ZOCALO
2502039	20	CLAMP SUPPORT	SUPPORTO MORSA	SUPPORT ETAU	SPANNUNGS AUFLAGE	SOPORTE MORDAZA
1490318	21	RELEASE HANDLE	LEVA A SCATTO	LEVIER A DECLIC	SPRINGGRIFF	PALANCA
1490319	22	RELEASE HANDLE	LEVA A SCATTO	LEVIER A DECLIC	SPRINGGRIFF	PALANCA
1490825	23	CYLINDER	PISTONE	CYLINDRE	ZYLINDER	PISTON
1490835	24	PADS	TAMPONE	TAMPONS	HALTER	TAPON
1490852	25	FILTER GROUP	GRUPPO FILTRO	GROUPE FILTRE	FILTERGRUPPE	GRUPO FILTRO
1490850	26	VALVE	VALVOLA DI BLOCCO	VALVE	VENTILE	VALVULA
1405047	27	ROD	ASTA PORTABATTUTA	TIGE	STANGE	ASTA
1411026	28	STOP	BATTUTA MATERIALE	BUTEE	ANSCHLAG	TOPE
1404013	29	CONTAINER	SERBATOIO	CONTAINER	BEHALTER	DEPOSITO DE ACEITE
1490827	30	VALVE	VALVOLA 3 VIE	VALVE	VENTILE	VALVULA

PAGE.1



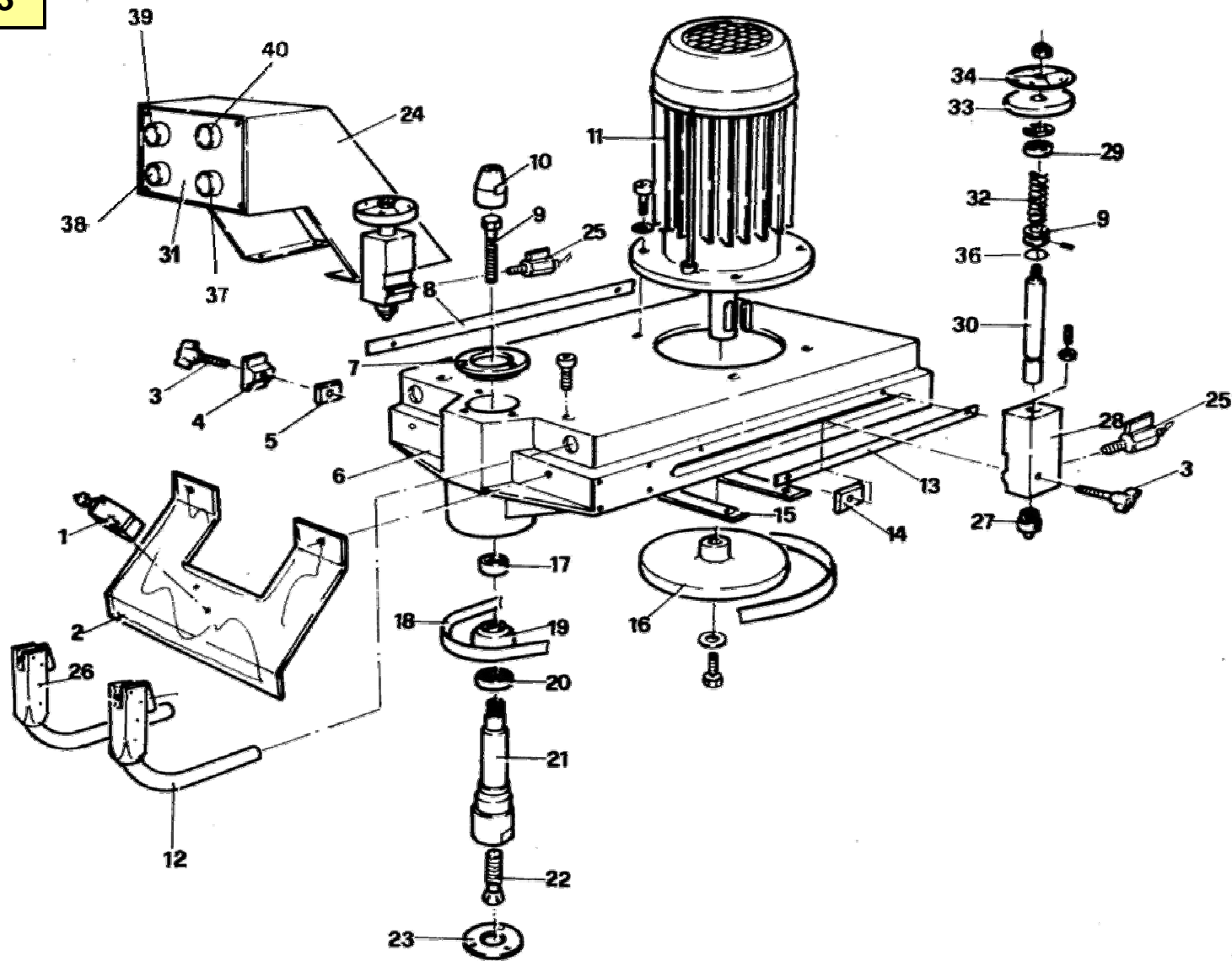
## PAGE 2

COD.	POS.	DESCRIPTION	DESCRIZIONE	DESCRIPTION	BESCHREIBUNG	DESCRIPCION
2606007	01	GUIDE	GUIDA VERTICALE	GUIDE	FUHRUNG	GUIA
1590329	02	RELEASE HANDLE	LEVA A SCATTO	LEVIER A DECLIC	SPRINGGRIFF	PALANCA
1511010	03	STOP	BATTUTA ORIZZ.LE	BUTEE	ANSCHLAG	TOPE
1404040	04	PLATE	ZOCCHETTO	PLATRE	PLATTE	ZOCALOS
1502004	05	SIDE SUPPORT	SUPPORTO LATERALE	SUPPORT LATERAL	SEITENAUFPLAGE	SOPORTE LATERAL
1491001	06	METRIC RULER	STECCA METRICA	REGLE METRIQUE	MAßSTAB	REGLA METRICA
1490412	07	BUSH	BUSSOLA	DOUILLE	BUCHSE	BRIDA
1500007	08	DIE	MATRICE	MATRICE	MATRIZE	MATRIZ
2606014	09	GUIDE	GUIDA ORIZZONTALE	GUIDE	FUHRUNG	GUIA
1406037	10	GUIDE	GUIDA VERTICALE	GUIDE	FUHRUNG	GUIA
1502005	11	ALUMINIUM CASTING	CROCIERA	FUSION EN ALU	ALU-SCHMELZEN	FUSION EN ALUMINIO
1490411	12	BUSH	BUSSOLA	DOUILLE	BUCHSE	BRIDA



## PAGE 3

COD.	POS.	DESCRIPTION	DESCRIZIONE	DESCRIPTION	BESCHREIBUNG	DESCRIPCION
1490829	01	MIST SPRAY UNIT	VENTURI	DISP. DE PULVERISATION	SPRUHEINRICHTUNG	LUBRIFICADOR
1411145	02	GUARD	PROTEZIONE	PROTECTION	SCHUTZVORRICHTUNG	PROTECCION
1490315	03	LEVER	LEVA	LEVIER	AUSHEBUNG	PALANCA
1411007	04	STOP	BATTUTA	BUTEE	ANSCHLAG	TOPE
1404046	05	PLATE	ZOCCHETTI	PLATRE	PLATTE	ZOCALOS
1502006	06	MOTOR HOLDER	TESTA PORTAMOTORE	TETE PORTE MOTEUR	MOTORTRAEGER KOPF	CABEZA PORTA MOTOR
1411022	07	UPPER COVER	COPERCHIO SUP.RE	COUVERCLE SUP.	OBERE DECKEL	TAPA SUP.
2191015	08	METRIC RULER	STECCA METRICA	REGLÉ METRIQUE	MAßSTAB	REGLA METRICA
1411030	09	FLANGE	FLANGIA PIST. TAST.	BRIDE	FLANSCH	BRIDA
1405040	10	METAL RING	GHIERA	EMBOUT	NUTMUTTER	ABRAZADERA
1490101	11	MOTOR	MOTORE	MOTEUR	MOTOR	MOTOR
1511109	12	LEVER	LEVA	LEVIER	ASHEBUNG	PALANCA
1491067	13	METRIC RULER	STECCA METRICA	REGLÉ METRIQUE	MAßSTAB	REGLA METRICA
1404040	14	PLATE	ZOCCHETTI	PLATRE	PLATTE	ZOCALOS
1404011	15	BRACKET	STAFFA	ETRIER	BUGEL	SOPORTE
1402009	16	PULLEY	PULEGGIA	POULIE	SCHREIBE	POLEA
1490410	17	BEARINGS	CUSCINETTI	ROULEMENTS	LAGER	COJINETE
1491222	18	BELT	CINGHIA	COURROIE	RIEME	CORREA
1402020	19	PULLEY	PULEGGIA	POULIE	SCHREIBE	POLEA
1490409	20	BEARINGS	CUSCINETTI	ROULEMENTS	LAGER	COJINETE
1407039	21	SPINDLE	MANDRINO	MANDRIN	SPINDEL	PORTA BROCAS
1411141	22	COLLET	PINZA	PINCE	DECKEL	TAPA
1411023	23	COVER	COPERCHIO	COUVERCLE	DECKEL	TAPA
1500002	24	CONTROL PANEL HEAD	PULSANTIERA	TABLEAU DE COMANDE	KONTROLLTISCH	PULSADOR
	25	STOP	RUBINETTO MINILUX 1/8	VANNE D'ARRET	KUGELHAHN	GRIFO
1402017	26	HANDLE	MANIGLIA	POIGNEE	HANDGRIFF	EMPUNADURA
1411131	27	COPIER PIN	TASTATORE	TATEUR	TASTER	PALPADOR
1411024	28	COPIER PIN GROUP	CORPO TASTATORE	GROUPE TATEUR	TASTERGRUPPE	GRUPO PALPADOR
1411029	29	FLANGE	FLANGIA	BRIDE	FLANSCH	BRIDA
1406032	30	COPIER PIN SHAFT	ALBERINO TASTATORE	ARBRE TATEUR	TASTERWELLE	EJE PALPADOR
1500008	31	CONTROL DESK PANEL	PANNELLO PULSANTIERA	PANNEAU DU TABLEAU DE C.	BEDIENFELD KONTROLLT.	PANEL DE PULSADORES
1491166	32	SPRING	MOLLA	RESSORT	FEDER	MUELLE
1402021	33	FLANGE	FLANGIA BATTUTA TAST.	BRIDE	FLANSCH	BRIDA
1491004	34	PLATE	TARGHETTA TAST.	PLAQUE	SCHILD	PLANCHA
1490826	35	VALVE	VALVOLA	VALVE	VENTILE	VALVULA
0690413	36	OR 4081	OR 4081	OR 4081	OR 4081	OR 4081
2790820	37	BUTTON	PULSANTE	BOUTON	KNOPF	BOTON
2790820	38	BUTTON	PULSANTE	BOUTON	KNOPF	BOTON
2790820	39	BUTTON	PULSANTE	BOUTON	KNOPF	BOTON
2790820	40	BUTTON	PULSANTE	BOUTON	KNOPF	BOTON



## PAGE 4

COD.	POS.	DESCRIPTION	DESCRIZIONE	DESCRIPTION	BESCHREIBUNG	DESCRIPCION
1511011	01	SPACER	DISTANZ.LE GUIDE FRENO	SEPARATEUR	DISTANZRING	DISTANCIAL
1505012	02	BRAKE FLASK	STAFFA SUPP.TO FRENO	ETRIER FREIN	KOLBENKLEIDERBREMSE	ABRAZADERA FRENO
	03	VALVE	F.I.C.160 VALV SKIP STOP	VALVE	VENTILE	VALVULA
	04	PISTON	PISTONE	PISTON	KOLBEN	PISTON
	05	HINGE	CERNIERA	CHARNIERE	ACHARNIER	CHARNELA
1590930	06	UNIBOL	UNIBOL	UNIBOL	UNIBOL	UNIBOL
	07	VALVE	VALVOLA 5 VIE	VALVE	VENTILE	VALVULA
	08	HINGE PIN	PERNO CERNIERA	GOUJON DE CHARNIERE	SCHARNIER-ZAPFEN	EJE CHARNELA



